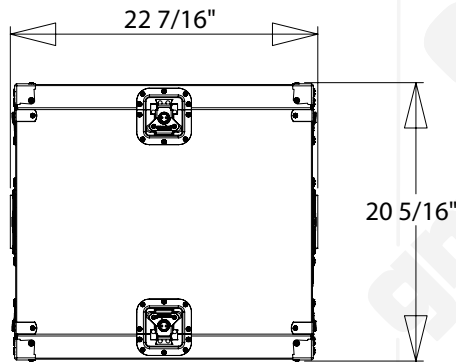
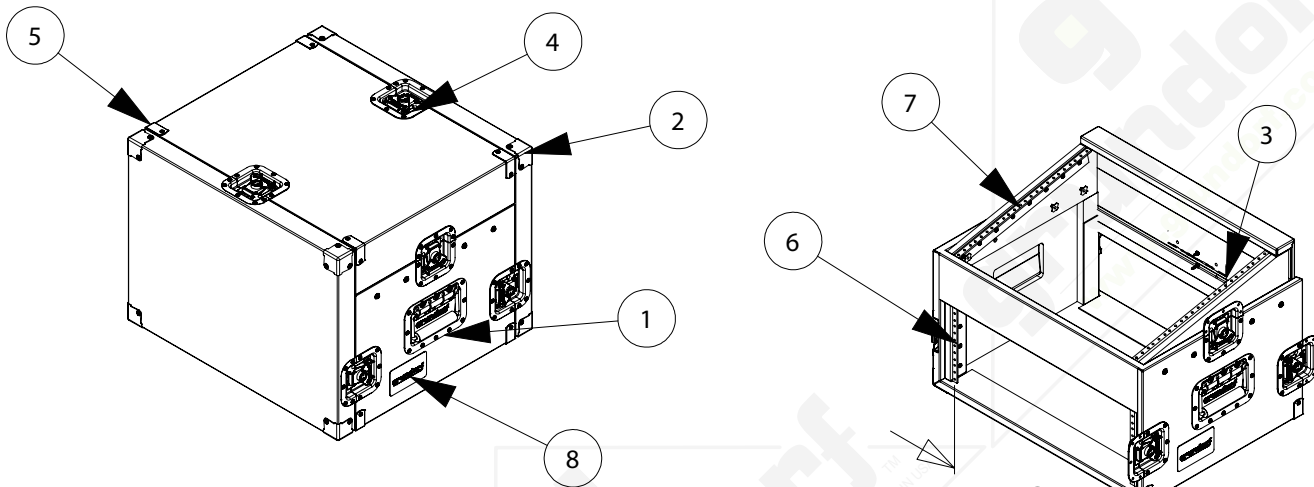
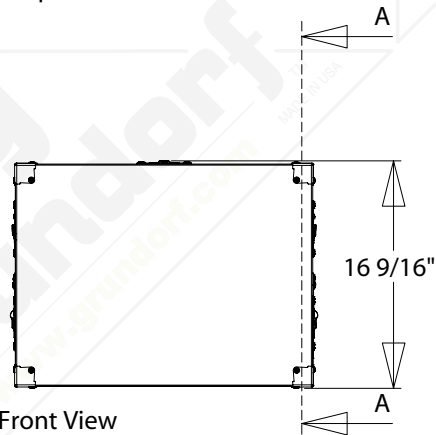


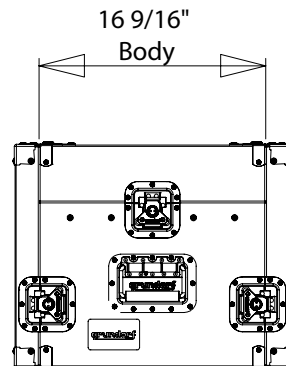
#	Qty	PART NUMBER	DESCRIPTION
1	2	31-005	HANDLE - RECESSED/LOGO/ZINC
2	8	32-012	CORNER-SMALL SQUARE/ZINC
3	1	33-006	HINGE - PIANO, 6"
4	8	34-012	CATCH - RECESSED W/LOGO/ZINC
5	8	35-006	CLAMP - SMALL 2 HOLE/ZINC
6	2	41-004	RACK RAIL-04 SPACE
7	2	41-008	RACK RAIL-08 SPACE
8	1	83-008	BADGE - GRUNDORF



Top View

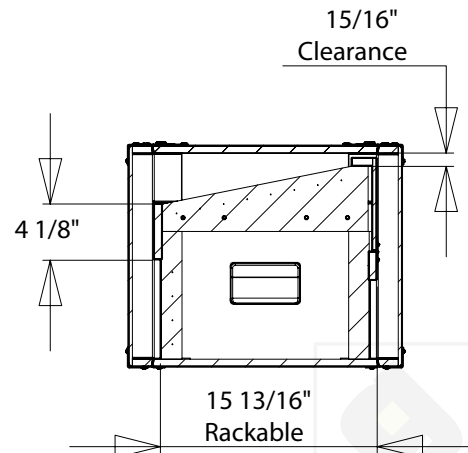


Front View



Side View

CL  
18 5/16"



SECTION A-A